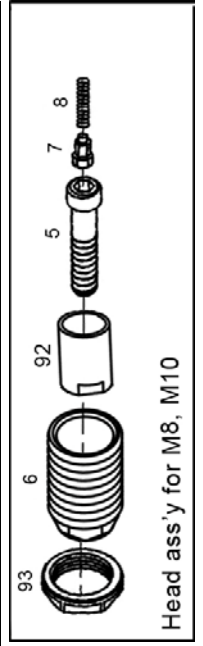
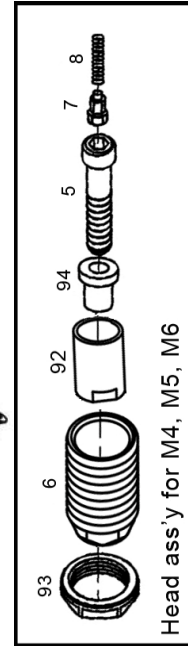
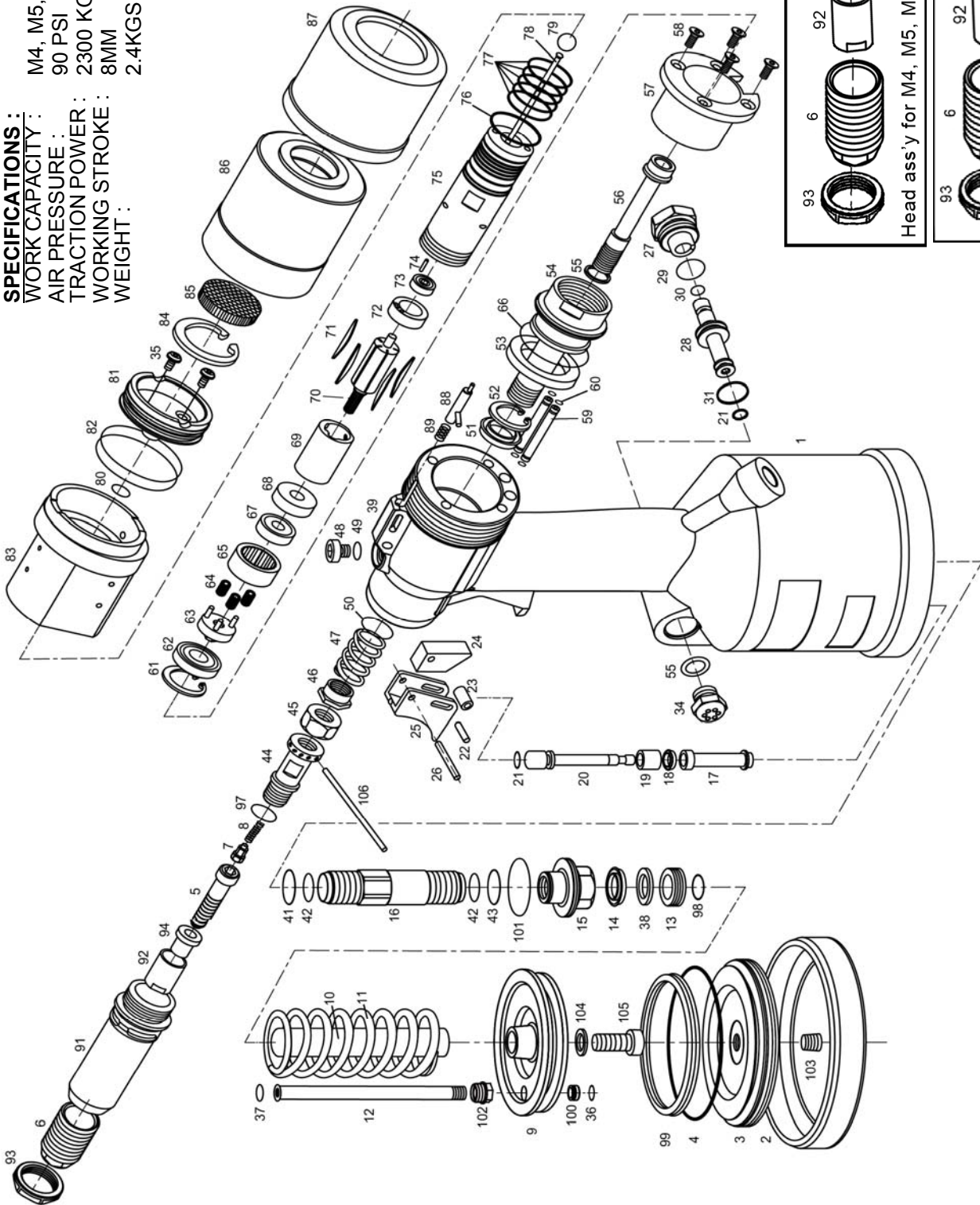


**SPECIFICATIONS :**  
 WORK CAPACITY : M4, M5, M6, M8, (M10 )  
 AIR PRESSURE : 90 PSI  
 TRACTION POWER : 2300 KGS 5000 LBS  
 WORKING STROKE : 8MM  
 WEIGHT : 2.4KGS



INDEX NO.	PART NO.	DESCRIPTION		INDEX NO.	PART NO.	DESCRIPTION	
1	72001P	Plastic Housing	1	75	720075	Motor Housing	1
2	720002	Rubber Cover	1	76	R26X17	O-Ring	1
3	720003	Cylinder Cap	1	77	R25X17	O-Ring	5
4	500024	O-ring	1	78	720078	Pin	1
5	M08125	Bolt M8	1	79	SBM7	Steel Ball	1
6	62M8	Nut Anvil M8	1	80	R7X18	O-Ring	1
7	600008	Hexagon Bit M8	1	81	720081	Motor End Plug	1
8	35076	Spring	1	82	R35X18	O-Ring	2
9	720009S	Piston	1	83	720083	Distributor	1
10	720022	Plunger Rod	1	84	CRH28	Circlip	1
11	720011	Spring	1	85	720085	Sintered Silencer	1
12	720012	Valve Tube	1	86	720086	Adj. Cover	1
13	720013	Seal Screw	1	87	720087	Rubber Band	1
14	UR13X21X5	U-Ring Seal	1	88	720088	Stroke Rod	1
15	720015	Screw Plug	1	89	720089	Spring	1
16	7200179	Valve Pipe	1	91	720091	Nose Casing	1
17	720017	Valve Plug	1	92	720092	Adaptor Nut(8 Hole) (M4 M5 M6 M8)	1
18	UR4X9X3	U-Ring Seal	1	93	600021	Nut	1
19	720019	Guide	1	97	R11.5x1.5	O-Ring	1
20	720020	Trigger Rod	1	98	R128X24	O-Ring	1
21	20412	O-Ring	1	99	UR90X80X6	U-Ring Seal	1
22	SP3X14	Pin	1	101	R35X25	O-Ring	1
23	720023	Roller	1	102	620081	Nut	1
24	720024	Push Wedge	1	103	PPG18	Pipe Plug	1
25	720025	Trigger	1	104	11526	Spring Washer	1
26	SP3X25	Pin	1	105	11527	Lock Screw	1
27	720027	Adaptor Nut	1	*** Accessories ***			
28	720028	Valve Piston	1	5	M04007	Bolt M4	1
29	10445	O-Ring	1	5	M05008	Bolt M5	1
30	R3x1.8	O-Ring	1	5	M06010	Bolt M6	1
31	R9X1.9	O-Ring	2	5	M10015	Bolt M10	1
34	720034	Silencer	1	6	62M4	Nut Anvil M4	1
35	BSM4X10	Screw	2	6	62M5	Nut Anvil M5	1
36	35039	O-Ring	1	6	62M6	Nut Anvil M6	1
37	10548	O-Ring Seal	1	6	62M10	Nut Anvil M10	1
38	620TW13	O Ring Washer	1	7	720004	Hexagon Bit M4	1
39	720001	Hydraulic Section	1	7	720005	Hexagon Bit M5	1
41	R17.8X2.6	O-Ring	1	7	600006	Hexagon Bit M6	1
42	R16X17	O-Ring	1	7	600010	Hexagon Bit M10	1
43	R19X2	O-Ring	1	8	35076	Spring	4
44	720044	Spindle Connector	1	92	720092M10	Adaptor Nut M10	1
45	720045	Nut	1	93	600021	Nut	4
46	720046	Nut	1	94	720094	Bushing M4	1
47	720047	Spring	1	94	720095	Bushing M5	1
48	02171	Oil Plug	1	94	720096	Bushing M6	1
49	02197	O-Ring	1	106	7200102	Adjust Rod	1
50	19336	O-Ring Seal	1	110	7200110	PU Tube Ass'y	1
51	UR14X22X5	U-Ring Seal	1	54059		Hanging Ring	1
52	CRH22	Circlip	1	11790		Oil Syringe	1
53	UR25X35X8	U-Ring Seal	1	54005		Hex. Wrench	1
54	720054S	Hydraulic Piston	1	12S14		Wrench 12 / 14	2
55	720055	Shim Ring	1	W24		Wrench 24 / 27	1
56	720056	Movement Pivot	1				
57	720057	Stroke Stop	1				
58	90HSM5	Screw	4				
59	720059	Tube	2				
60	R4X1	O-Ring	4				
61	CRS9	Circlip	1				
62	B609	Ball Bearing	1				
63	720063	Planet Cage	1				
64	720064	Planet Gear	3				
65	720065	Internal Gear	1				
66	R30X27	O-Ring	1				
67	B607	Ball Bearing	1				
68	720068	Front Plate	1				
69	720069	Cylinder	1				
70	720070	Rotor	1				
71	720071	Blade	5				
72	720072	End Plate	1				
73	B696ZZ	Ball Bearing	1				
74	SP2.5X12	Pin	1				