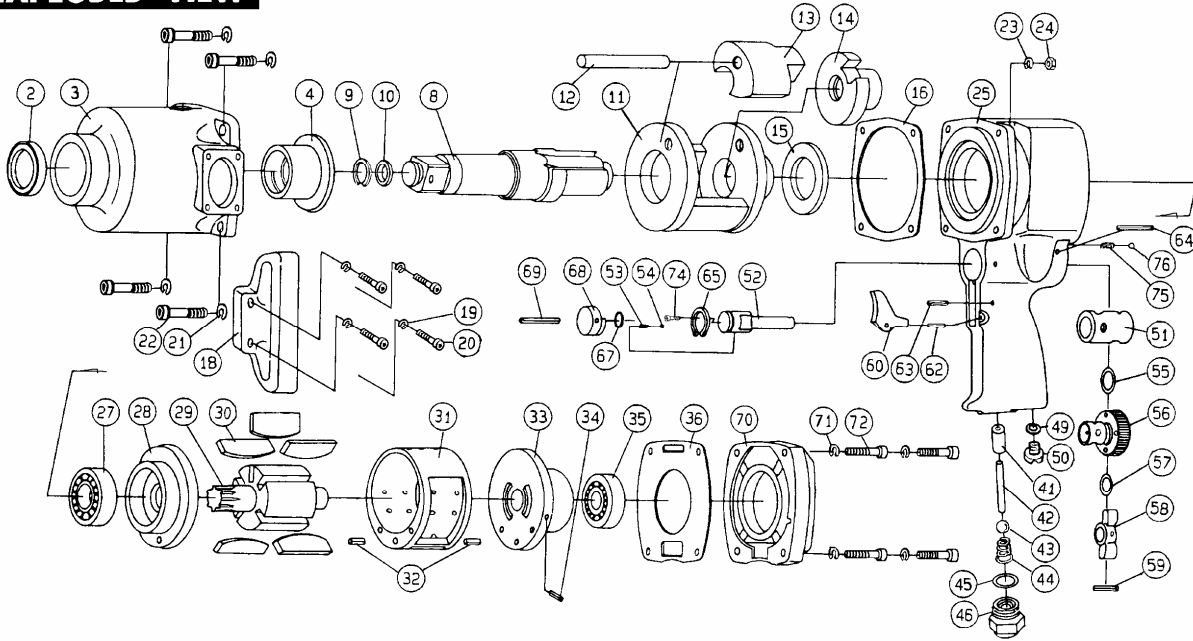


# AIXIA-322P, 322P-8 IMPACT WRENCH

## EXPLODED VIEW



## PARTS LIST

16/05/2001

◆Parts may be changed with or without notice for improvement.

PART S No.	NAME OF PARTS	PER SET	PARTS CODE	PRICE @	ORDE R	PART S No.	NAME OF PARTS	PER SET	PARTS CODE	PRICE @	ORDE R
2	Oil Seal	1	040525VB			34	Spring Pin	1	040100SP		
3A	Hammer Case Assembly (No.2~No.4)		2322511			35	Ball Bearing	1	06204000		
3	Hammer Case	1	23225370			36	Motor Case Packing	1	23221351		
4	Hammer Case Bushing	1	23225420			41	Throttle Bushing	1	10325422		
8A	Anvil Assembly (No.8 ~ No.10)		2322112			42	Throttle Pin	1	10321280		
8	Anvil (2")	1	23221A20			43	Throttle Valve	1	002010G		
8A	8" Anvil Assembly (No.8 ~ No.10)		2322512			44	Throttle Spring	1	10325232		
8	8" Anvil (for 322P-8)	1	23225A20			45	O-Ring	1	001800PR		
9	Retainer Ring	1	23225470			46	Inlet Bushing	1	10321422		
10	O-Ring	1	001400JR			49	O-Ring	1	001000PR		
11	Hammer Frame	1	23255D00			50	Oil Plug Screw	1	10325210		
12	Hammer Pin	1	23225C90			51	Valve Bushing	1	24005421		
13	Hammer	1	23255C70			52	Reverse Valve	1	24005E10		
14	Driver	1	23225C30			53	Spring	1	10325231		
15	Spacer	1	23225250			54	Steel Ball	1	004000S		
16	Hammer Case Packing	1	23225350			55	O-Ring	1	001600PR		
18	D-Handle	1	10325C10			56	Adjust Valve	1	24001010		
19	Spring Washer (for D-Handle)	4	006000S W			57	O-Ring	1	001000PR		
20	Hex.Cap Bolt (for D-Handle)	4	006180CB			58	Reverse Lever	1	24005E20		
21	Spring Washer	4	006000S W			59	Spring Pin	1	030160SP		
22	Hex.Cap Bolt	4	008370CB			60	Throttle Lever	1	10321181		
23	Spring Washer	4	006000S W			62	Spring Pin	1	030160SP		
24	Hex.Nut (for Motor Case)	4	006000N			63	Spring Pin	1	030220SP		
25A	Motor Case Assembly (No.23~No.76)		232212			64	Spring Pin	1	030360SP		
25	Motor Case	1	23221460			65	Stop Ring	1	00220IST		
27	Ball Bearing	1	06205Z00			67	O-Ring	1	002200PR		
28	Front End Plate	1	23225040			68	Stopper Piece	1	23221B30		
29	Rotor	1	23225490			69	Spring Pin	1	040360SP		
30	Vane	5	23225500			70	Case Cover	1	23221A60		
31A	Cylinder Assembly (No.31, No.32)		2325523			71	Spring Washer	4	006000S W		
31	Cylinder	1	23225190			72	Hex.Cap Bolt	4	008200CB		
32	Spring Pin	2	060180SP			74	Hex.Cap Bolt	1	004080CB		
33A	Rear End Plate Assembly (No.33, No.34)		2325522			75	Spring	1	10325231		
33	Rear End Plate	1	23225050			76	Steel Ball	1	004000S		