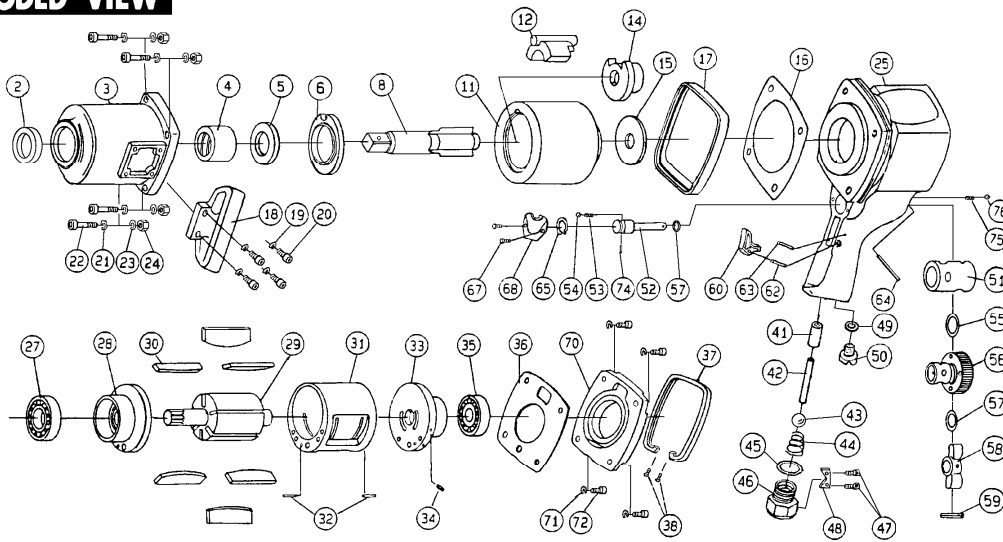


AIXIA-452P

IMPACT WRENCH

EXPLODED VIEW



PARTS LIST

01/05/2007

◆Parts may be changed with or without notice for improvement.

PART S No.	NAME OF PARTS	PER SET	PARTS CODE	PRICE @	ORDE R	PART S No.	NAME OF PARTS	PER SET	PARTS CODE	PRICE @	ORDE R
2	Oil Seal	1	042556VB			37	Rear Protect Rubber	1	24001D51		
3A	Hammer Case Assembly (No.2~No.4)		2400511			38	Screw	2	00412PMM		
3	Hammer Case	1	24005370			41	Throttle Bushing	1	10325422		
4	Hammer Case Bushing	1	23215423			42	Throttle Pin	1	10321280		
5	Thrust Washer	1	10325510			43	Throttle Valve	1	002010G		
6	Side Plate	1	24525160			44	Throttle Spring	1	10325232		
8	Anvil	1	24001A20			45	O-Ring	1	001800PR		
8	8" Anvil (for 452P-8)	1	24005A20			46	Inlet Bushing	1	10321422		
11	Hammer Frame	1	24525D00			47	Hex.Cap Bolt	2	004080CB		
12	Pin Hammer	1	24525D20			48	Stopper	1	10321220		
14	Driver	1	24525C30			49	O-Ring	1	001000PR		
15	Spacer	1	24525250			50	Oil Plug Screw	1	10325210		
16	Hammer Case Packing	1	24005350			51	Valve Bushing	1	24001420		
17	Front Protect Rubber	1	24001D50			52	Reverse Valve	1	24001E10		
18	D-Handle	1	10325C10			53	Spring	1	10325231		
19	Spring Washer (for D-Handle)	4	008000S			54	Steel Ball	1	004000S		
20	Hex.Cap Bolt (for D-Handle)	4	006180CB			55	O-Ring	1	001600PR		
21	Spring Washer	4	008000S			56	Adjust Valve	1	24001010		
22	Hex.Cap Bolt	4	008370CB			57	O-Ring	1	001000PR		
23	Spring Washer	4	008000S			58	Reverse Lever	1	24005E20		
24	Hex.Nut (for Motor Case)	4	008000N			59	Spring Pin	1	003010S		
25A	Motor Case Assembly (No.23~No.76)		240012			60	Throttle Lever	1	10321181		
25	Motor Case	1	24001460			62	Spring Pin	1	030180SP		
27	Ball Bearing	1	06305Z00			63	Needle Pin	1	030220SP		
28	Front End Plate	1	24005040			64	Spring Pin	1	030360SP		
29	Rotor	1	24005490			65	Stop Ring	1	00220IST		
30	Vane	6	24005500			67	Screw	2	00306PMM		
31A	Cylinder Assembly (No.31, No.32)		2400523			68	Exhaust Cover	1	24001020		
31	Cylinder	1	24005190			70	Case Cover	1	24001A60		
32	Spring Pin	2	040200SP			71	Spring Washer	4	008000S		
33A	Rear End Plate Assembly (No.33, No.34)		2400522			72	Hex.Cap Bolt	4	008250CB		
33	Rear End Plate	1	24005050			74	Spring Pin	1	023080S		
34	Spring Pin	1	040080SP			75	Spring	1	10325231		
35	Ball Bearing	1	06205000			76	Steel Ball	1	004000S		
36	Motor Case Packing	1	24001351								