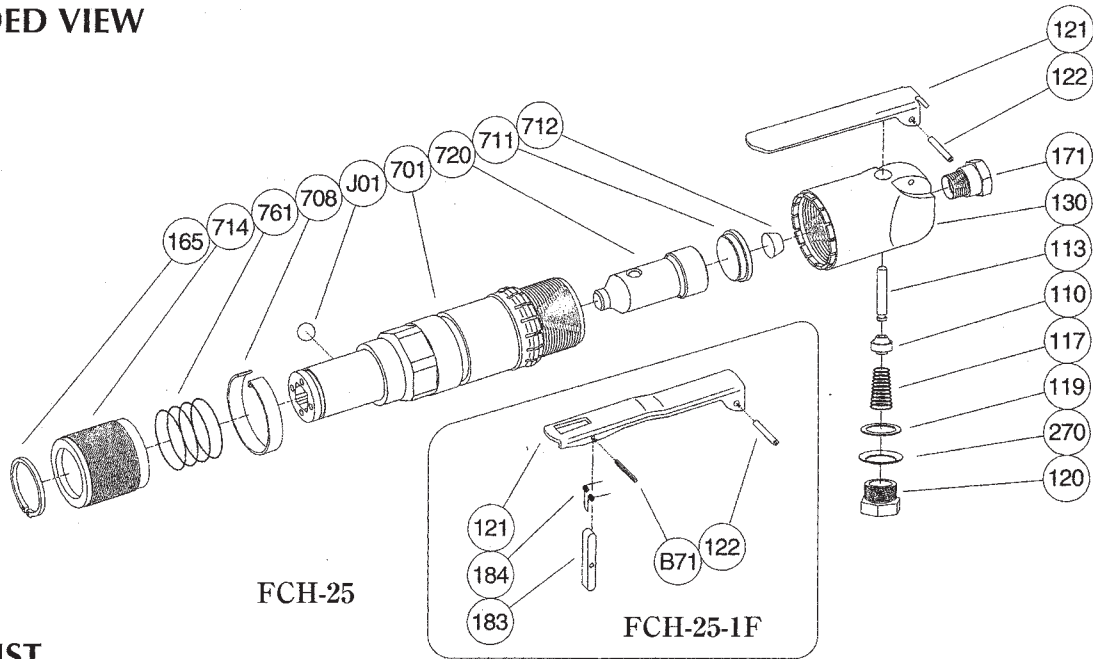


PARTS LIST MODEL: FCH-25, -25-1F

EXPLODED VIEW



PARTS LIST

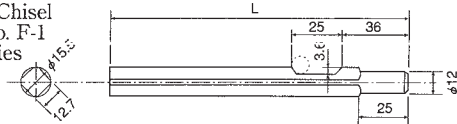
Index No.	Parts No.	Parts Name	Qt.
FCH-25			
Ass'y No.	H-063005-05	Cap Ass'y	
117	D-001117-00	Throttle Valve Spring	1
119	H-014119-00	T.V. Cover Packing	1
120	H-014120-00	Throttle Valve Cover	1
121	H-063121-00	Throttle Valve Lever	1
122	H-001122-00	Throttle Valve Lever Pin	1
130	H-014130-00	Cap	1
270	H-014270-00	Conical Spring Washer	1
Ass'y No.	H-063008-00	Throttle Valve Rod Ass'y	
110	H-001110-02	Throttle Valve	1
113	H-063113-00	Throttle Valve Rod	1
165	H-056165-00	Stop Ring	1
171	IB-202N01	Inlet Bushing (NPT)	1
701	H-056701-01	Cylinder	1
708	H-014708-00	Locking Clutch	1
711	H-014711-00	Cylinder Cover	1
712	H-001712-00	Damper	1
714	H-056714-00	Chisel Holder	1
720	H-014720-00	Piston	1
761	H-014761-00	Retainer Spring	1
J01	B-3/8	Ball	1

Index No.	Parts No.	Parts Name	Qt.
FCH-25-1F			
Ass'y No.	H-063005-06	Cap Ass'y	
117	D-001117-00	Throttle Valve Spring	1
119	H-014119-00	T.V. Cover Packing	1
120	H-014120-00	Throttle Valve Cover	1
122	H-001122-00	Throttle Valve Lever Pin	1
130	H-014130-00	Cap	1
270	H-014270-00	Conical Spring Washer	1
Ass'y No.	H-014008-00	Throttle Valve Rod Ass'y	
110	H-001110-02	Throttle Valve	1
113	H-014113-00	Throttle Valve Rod	1
Ass'y No.	H-001019-00	Lock Lever Ass'y	
121	A-192121-00	Lock Lever	1
183	H-001183-00	Lock Key	1
184	G-144184-00	Lock Spring	1
B71	SP-218	Spring Pin	1
165	H-056165-00	Stop Ring	1
171	IB-202N01	Inlet Bushing (NPT)	1
701	H-056701-01	Cylinder	1
708	H-014708-00	Locking Clutch	1
711	H-014711-00	Cylinder Cover	1
712	H-001712-00	Damper	1
714	H-056714-00	Chisel Holder	1
720	H-014720-00	Piston	1
761	H-014761-00	Retainer Spring	1
J01	B-3/8	Ball	1

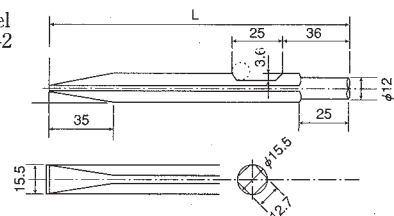
- Ass'y No. denotes no. of the assembled parts comprising of more than 1 pc. of parts. The related parts are shown in the thick frame.
- Index No.171 is unnecessary in PT type.
- Specify parts number and quantity in ordering.
- Standard Accessories : F-3-2.....155mm Flux Chisel 1.

CHISELS

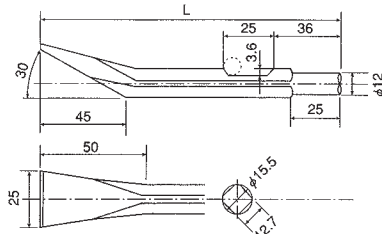
Blank Chisel
AC No. F-1
Series



Flat Chisel
AC No. F-2
Series



Flux Chisel
AC No. F-3
Series



CHISELS LIST

AC No.			Length (L) mm
Blank	Flat	Flux	
F-1-1			140
F-1-2	F-2-2	F-3-2	155
F-1-3	F-2-3	F-3-3	200
F-1-4	F-2-4	F-3-4	250
F-1-5	F-2-5	F-3-5	300