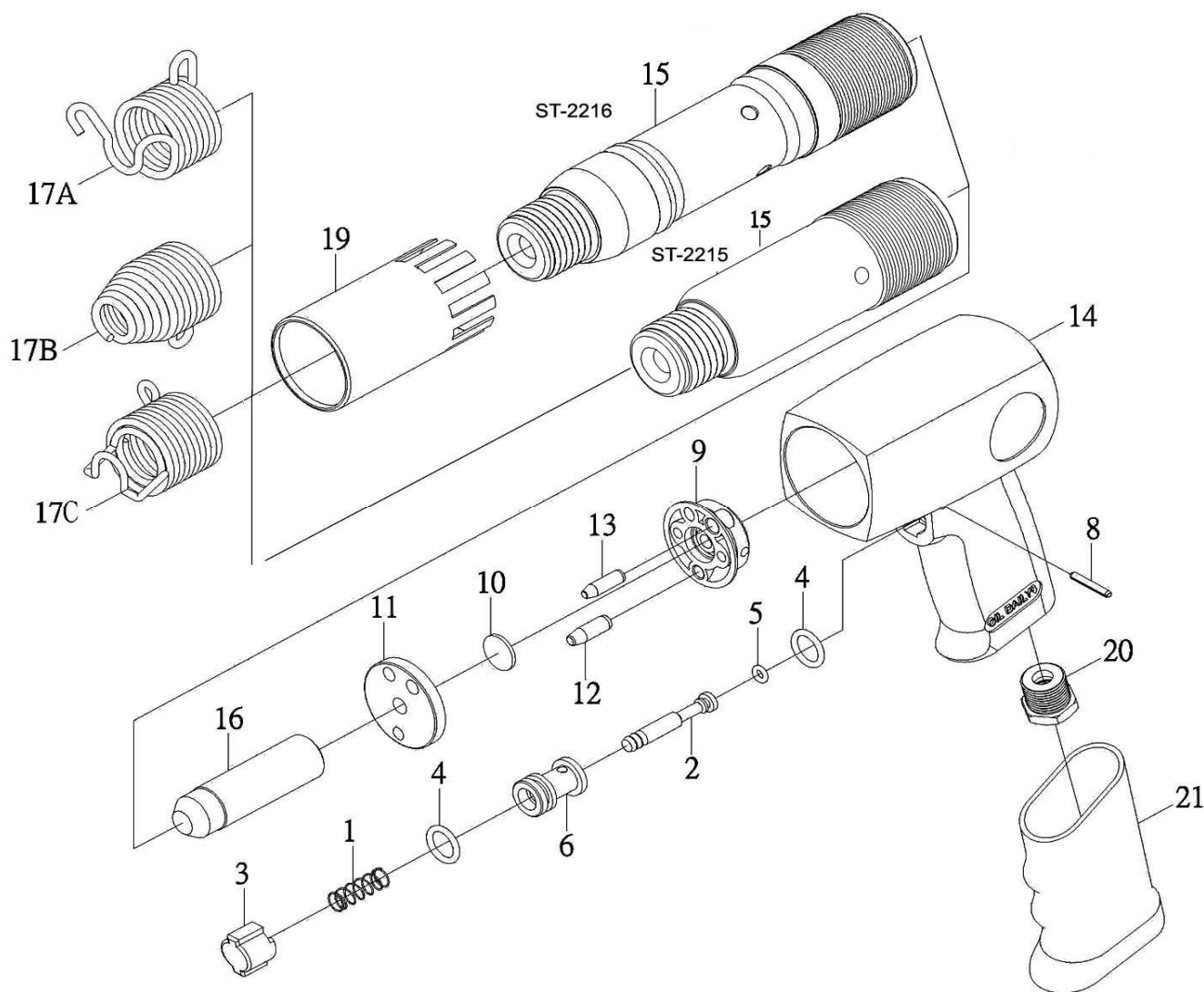




Modelo 840KH

Kit Martillo Cincelador



PARTS LIST

No.	Parts No.	Description	Q'ty	No.	Parts No.	Description	Q'ty
1	2215-01	Spring Valve	1	15	2215-15R	Cylinder (171mm) (Round)[ST-2215]	1
2	2215-02	Throttle Valve Ass'y	1		2215-15H	Cylinder (171mm) (Hex) [840KH]	1
3	2215-03	Button Throttle	1		2216-15R	Cylinder (225mm)(Round)[ST-2216]	1
4	2215-04	O-Ring (D11.8xW2.4) (P12)	2		2216-15H	Cylinder (225mm)(Hex)[ST-2216]	1
5	2215-05	O-Ring (D3.8xW1.9) (P4)	1	16	2215-16	Piston (M) [840KH]	1
6	2215-06	Bushing Valve	1		2216-16	Piston (L) [ST-2216]	1
8	2215-08	Spring (Φ3x20L)	1	17	2215-17A	Retainer - Quick Change	1
9	2215-09	Lid Valve Case	1		2215-17B	Retainer - Bee Hive Type	1
10	2215-10	Disk Valve	1		2215-17C	Retainer - Zip Change	1
11	2215-11	Case Valve	1	19	2216-19	Deflector [ST-2216]	1
12	2215-12	Dowel Valve Case (L)	1	20	2215-20	Air Inlet	1
13	2215-13	Dowel Valve Case (S)	1	21	2215-21	Grip	1
14	2215-14	Handle	1				

ST-2215(6)-P-0902B-JI