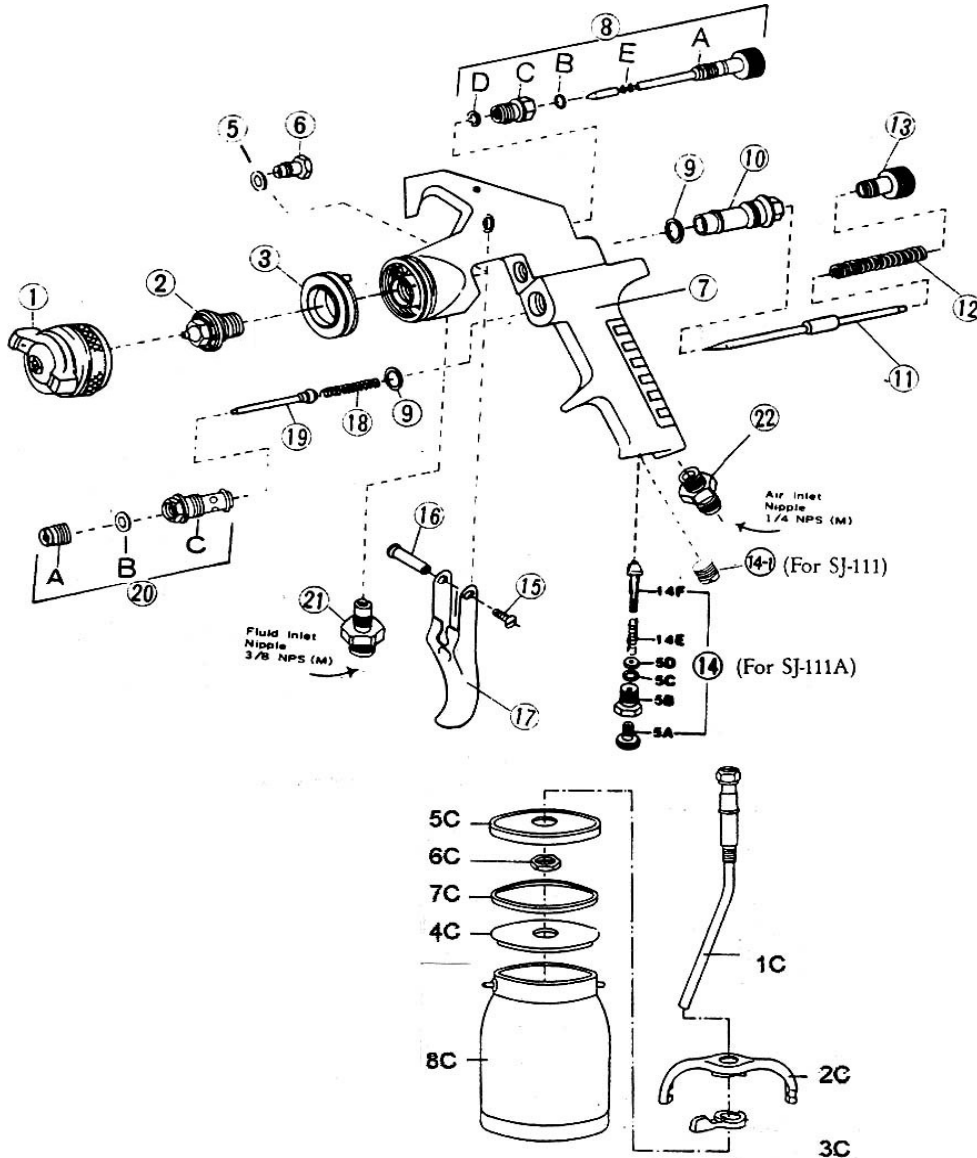


# SJ-111SA SPRAY GUN WITH REGULATOR & 1000CC CUP



## PARTS LIST

No.	Parts No.	Description	Q'ty
1	111SA-01	Air Cap Set (#30,#43,#80)	1
2	111SA-02	Fluid Nozzle	1
3	111SA-03	Baffle (Plastic)	1
5	111SA-05	Packing (For Needle)	1
5-1	111SA-05-1	Packing (For Air Valve)	1
6	111SA-06	Air Valve Packing Seat	1
7	111SA-07	Gun Body	1
8	111SA-08	Spreader Adjusting Valve Set	1
9	111SA-09	Gasket (Air Valve/Bushing)	1
10	111SA-10	Bushing	1
11	111SA-11	Fluid Needle	1
12	111SA-12	Spring (Needle)	1
13	111SA-13	Fluid Adjusting Knob	1
14	111SA-14	Air Adjusting Assembly (For SJ-111SA)	1
14-1	111SA-14-1	Nut (For SJ-111)	1
15	111SA-15	Screw, Trigger	1

No.	Parts No.	Description	Q'ty
16	111SA-16	Stud, Trigger	1
17	111SA-17	Trigger	3
18	111SA-18	Spring, Air Valve	3
19	111SA-19	Air Valve	1
20	111SA-20	Air Valve Assembly	2
21	111SA-21	Nipple (Fluid Inlet, 3/8" NPS)	1
22	111SA-22	Nipple (Fluid Inlet, 1/4" NPS)	1
1C	111SA-01C	Material Tube Assembly	1
2C	111SA-02C	Yoke Assembly	1
3C	111SA-03C	Lever	1
4C	111SA-04C	Baffle	1
5C	111SA-05C	Cup Top Assembly	1
6C	111SA-06C	Nut	1
7C	111SA-07C	Cup Gasket	1
8C	111SA-08C	Cup	1

SJ-111SA-P-1107B-S4