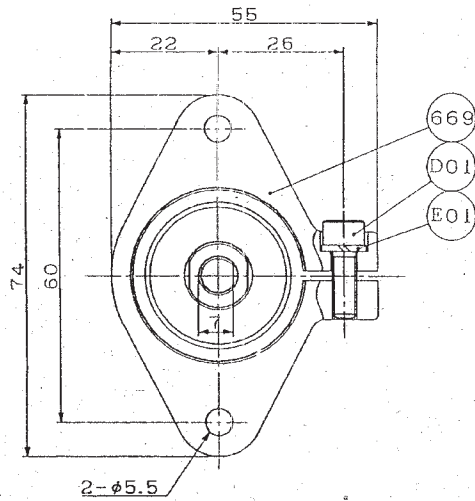
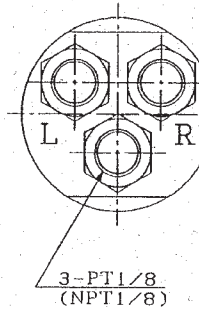
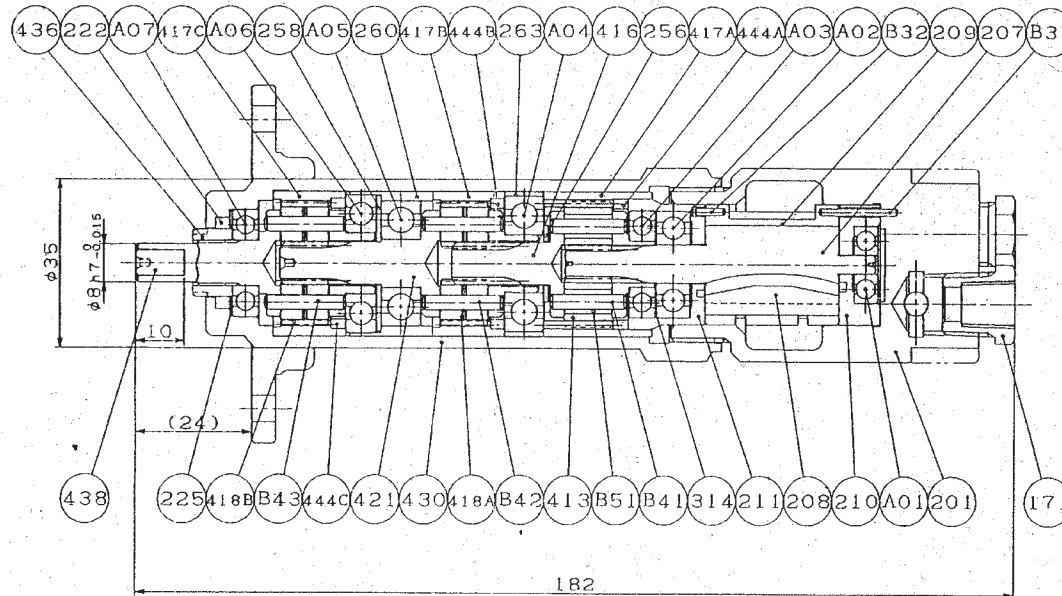


F-5SM-2R



A04	BB-6001	BALL BEARING	1
A05	BB-6000	BALL BEARING	1
A06	BB-EE4	BALL BEARING	1
A07	BB-EE3	BALL BEARING	1
B31	SP-1.616	SPRING PIN	1
B32	SP-1.66	SPRING PIN	1
B41	NR-316	NEEDLE ROLLER	2
B42	NR-316.8	NEEDLE ROLLER	2
B43	NR-316.8	NEEDLE ROLLER	2
B51	NR-19.5	NEEDLE ROLLER	24
D01	CS-515	CAP SCREW	1
E01	SW-5	WASHER	1

DRAW NO.	PARTS NO.	NAME OF PART	QTY
171	IB-201000	INLET BUSHING (PT)	3
	IB-201N00	INLET BUSHING (NPT)	
201	M-054201-00	HOUSING	1
207	M-054207-00	ROTOR	1
208	W-070208-00	ROTOR BLADE	5
209	W-070209-00	CYLINDER	1
210	M-054210-00	CYLINDER UPPER PLATE	1
211	M-054211-00	CYLINDER LOWER PLATE	1
222	D-021222-00	FELT RING	1
225	D-021225-00	PACKING WASHER	1
256	D-023256-00	SPACE COLLAR	1
258	M-044258-00	WASHER (B)	1
260	M-044260-00	BEARING CASE	1
263	M-044263-00	BEARING CASE (B)	1
314	A-006314-00	WHEEL SPINDLE WASHER	1
413	M-041413-00	NO.1 PLANET GEAR	2
416	D-023416-00	NO.1 PLANET GEAR FRAME	1
417A	D-023417-00	NO.1 INTERNAL GEAR	1
417B	D-058417-00	NO.1 INTERNAL GEAR	1
417C	D-058417-00	NO.1 INTERNAL GEAR	1
418A	D-023418-00	NO.2 PLANET GEAR	2
418B	D-023418-00	NO.2 PLANET GEAR	2
421	M-044421-00	NO.2 PLANET GEAR FRAME	1
430	M-044430-01	NO.1 GEAR CASE	1
436	D-021436-00	BEARING HOLDER	1
438	M-041438-00	SPINDLE	1
444A	D-021444-00	INTERNAL GEAR WASHER	1
444B	D-021444-00	INTERNAL GEAR WASHER	1
444C	D-021444-00	INTERNAL GEAR WASHER	1
669	M-041669-00	FLANGE	1
A01	BB-634	BALL BEARING	1
A02	BB-608	BALL BEARING	1
A03	BB-EE3	BALL BEARING	1



SPECIFICATIONS															
TYPE	STALL TORQUE		RATED HORSE POWER	FREE SPEED	OVERALL LENGTH		WEIGHT		AIR CONSUMPTION AT MAX. OUTPUT (ABOUT)		AIR INLET THREAD SIZE	AIR HOSE SIZE	AIR PRESSURE		
	kgf·m	ft·lb	PS	rpm	mm	in	kg	lb	Nm ³ /min	ft ³ /min	in	mm	in	kgf/cm ²	lb/in ²
F-5SM-2R	2.2	15.9	0.14	180	182	7 11/64	0.8	1.76	0.28	9.89	PT NPT or 1/8	6.35	1/4	6	85

AIR MOTOR			
TYPE F-5SM-2R			
DRAWING NO.	M-044 A60-00	APPROVED BY	OHKUBO
SCALE	1:1	CHECKED BY	ISHIDA
DATE	'96.6	DRAWN BY	KAKIUCHI
FUJI AIR TOOLS CO., LTD.			

RT6-009 R. K