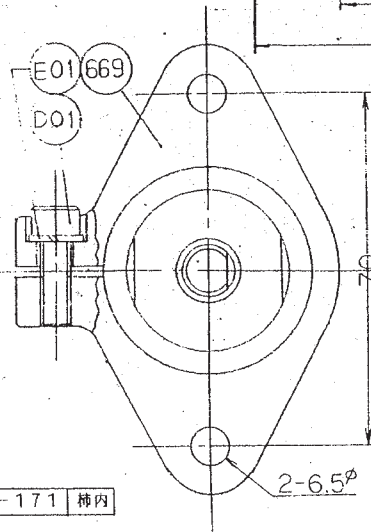
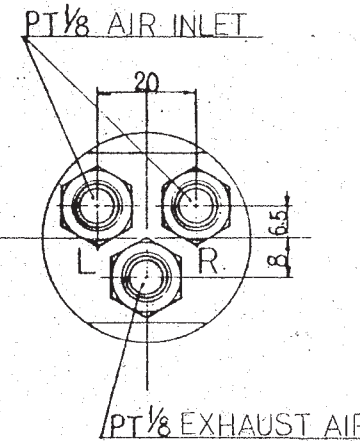
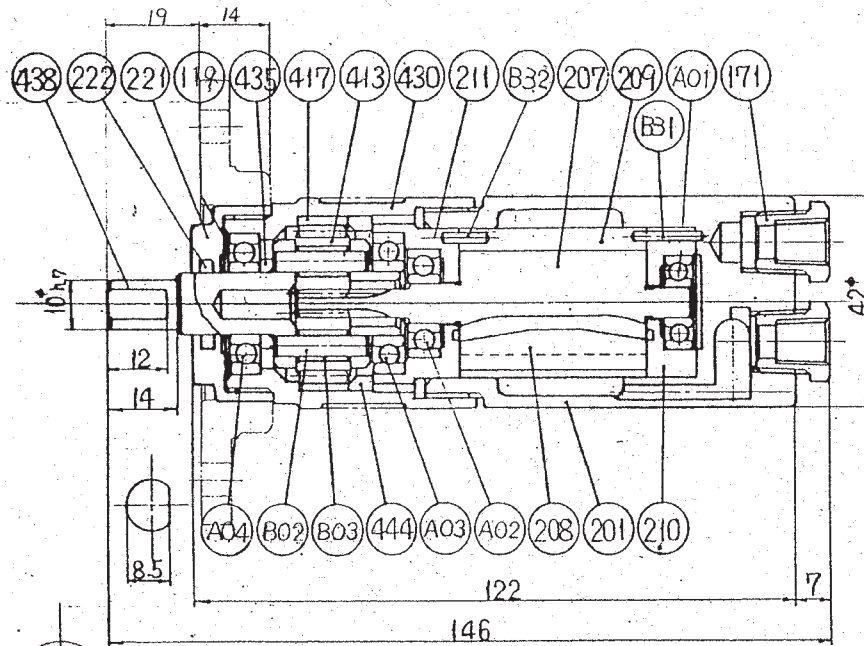


F-6SM-21R

DRAW NO.	PART NO	NAME OF PARTS	Q.TY
119	G-11119	T. V. COVER PACKING	1
171	IB-201000	INLET BUSHING	3
201	M-42201	HOUSING	1
207	W-100207	ROTOR	1
208	W-100208	ROTOR BLADE	3
209	W-74209	CYLINDER	1
210	W-074210	CYLINDER UPPER PLATE	1
211	W-74211	CYLINDER LOWER PLATE	1
221	D-14221	SPINDLE BEARING COVER	1
222	D-14222	FELT RING	1
B31	SP-1.618	SPRING PIN	1
413	D-51413	No.1 PLANET GEAR	2
B02	NR-419	4x19 NEEDLE ROLLER	2
417	T-1417	No.1 INTERNAL GEAR	1
430	D-51430-1	No.1 GEAR CASE	1
435	D-1435	THRUST WASHER	1
438	M-75438	SPINDLE	1
444	D-51444	INTERNAL GEAR WASHER	1
A01	BB-626	#626 BALL BEARING	1
A02	BB-608	#608 BALL BEARING	1
A03	BB-EE4	#EE4 BALL BEARING	1
A04	BB-EE4	#EE4 BALL BEARING	1
B03	NR-110.5	1x10.5 NEEDLE ROLLER	30
669	M-62669	FLANGE	1
D01	CS-618	M6x18 CAP SCREW	1
E01	SW-6	M6 SPRING WASHER.	1
B32	SP-1.66	SPRING PIN	1



SPECIFICATIONS										
TYPE	AIR PRESSURE	FREE SPEED	STALL TORQUE	RATED HORSE POWER	AIR CONSUMPTION	OVERALL LENGTH	NET WEIGHT	AIR INLET THREAD	HOSE SIZE	
	$\frac{kg}{cm^2}$ $\frac{lb}{in^2}$	RPM	$kg-m$ $ft-lb$	PS	$\frac{m^3}{min}$ $\frac{ft^3}{min}$	mm in	kg lb	in	mm	
F-6SM-21R	6.0 85	2000	0.41 2.96	0.34	0.34 12	146 5 $\frac{3}{4}$	0.9 2.0	PT 1/8	8	

AIR MOTOR			
TYPE	F-6SM-21R		
DRAWING No.	M-075 -A60-02	CHIEF	
SCALE	1/1	CHECKED BY	<i>Sachiko Tanaka</i>
DATE	83 FEB	DRAWING BY	<i>Sachiko Tanaka</i>
FUJII AIR TOOLS CO., LTD.			

ST3-171 柿内