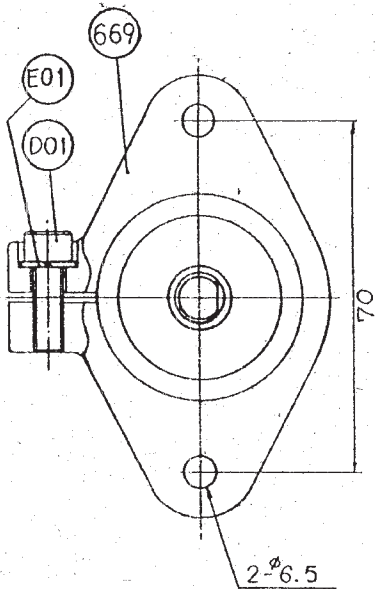


F-6SM-12R

| DRAW NO. | PART NO. | NAME OF PART | QTY |
|----------|-----------|-----------------------|-----|
| 171 | IB-201000 | INLET BUSHING | 1 |
| 201 | M-42201 | HOUSING | 3 |
| 207 | W-100207 | ROTOR | 1 |
| 208 | W-100208 | ROTOR BLADE | 5 |
| 209 | W-74209 | CYLINDER | 1 |
| 210 | W-074210 | CYLINDER UPPER PLATE | 1 |
| 211 | W-74211 | CYLINDER LOWER PLATE | 1 |
| 221 | D-50221 | SPINDLE BEARING COVER | 1 |
| 222 | D-014222 | FELT RING | 1 |
| 413 | T-1413 | No.1 PLANET GEAR | 2 |
| B02 | NR-431 | 4x31 NEEDLE ROLLER | 2 |
| 417 | T-1417 | No.1 INTERNAL GEAR | 1 |
| 430 | D-50430-1 | No.1 GEAR CASE | 1 |
| 432 | D-50432 | GEAR CASE COVER | 1 |
| 435 | D-50435 | THRUST WASHER | 1 |
| 438 | M-61438-1 | SPINDLE | 1 |
| A01 | BB-626 | *626 BALL BEARING | 1 |
| A02 | BB-608 | *608 BALL BEARING | 1 |
| A03 | BB-EE4 | *EE-4 BALL BEARING | 30 |
| A04 | BB-EE4 | *EE-4 BALL BEARING | 1 |
| B31 | SP-1.618 | SPRING PIN | 1 |
| B32 | SP-1.66 | SPRING PIN | 1 |
| 119 | G-011119 | T.V. COVER PACKING | 1 |



| DRAW NO. | PART NO. | NAME OF PART | QTY |
|----------|----------|------------------|-----|
| 669 | M-61669 | FLANGE | 1 |
| D01 | CS-618 | M6x18 CAP SCREW | 1 |
| E01 | SW-6 | M6 SPRING WASHER | 1 |

| TYPE | SPECIFICATIONS | | | | | | | | | | |
|-----------|---------------------------------------|------------|--------------|-------------------|--|----------------|------------|------------------|-----------|---|--|
| | AIR PRESSURE | FREE SPEED | STALL TORQUE | RATED HORSE POWER | AIR CONSUMPTION | OVERALL LENGTH | NET WEIGHT | AIR INLET THREAD | HOSE SIZE | | |
| | kg/cm ² lb/in ² | RPM | kg-m ft-lb | P.S. | m ³ /min ft ³ /min | mm in | kg lb | in | mm | | |
| F-6SM-12R | 6.0 | 85 | 1100 | 0.6 4.34 | 0.3 1 | 0.34 12 | 157 5 3/16 | 0.8 1.8 | PT 1/8 | 8 | |

M-061-A60-02

| AIR MOTOR | | |
|---------------------------|-----------|-----------------|
| TYPE | F-6SM-12R | |
| DRAWING No. | M-61 | CHIEF |
| SCALE | 1/1 | CHECKED BY |
| DATE | 83 FEB | DRAWING BY SAKI |
| FUJII AIR TOOLS CO., LTD. | | |