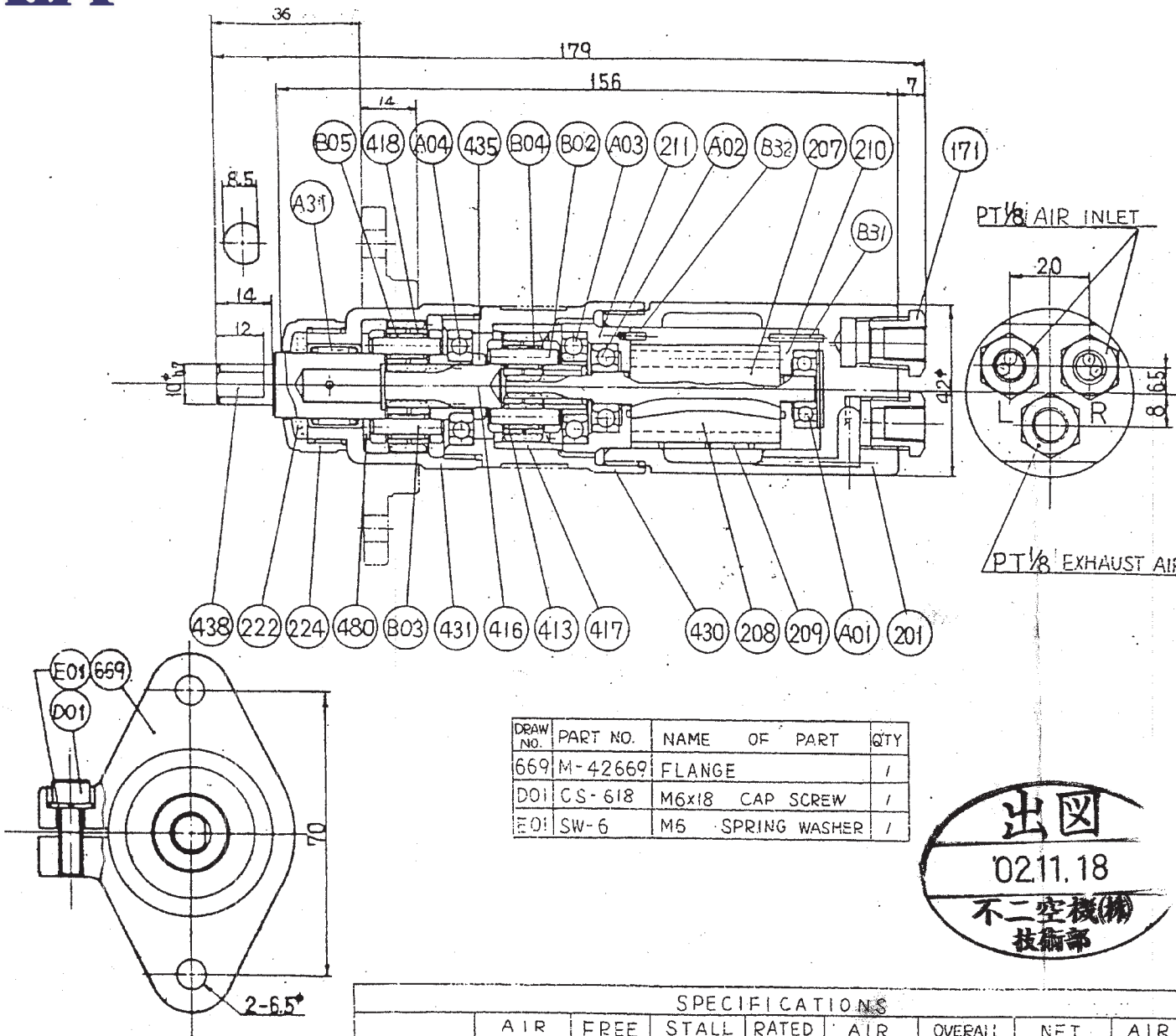


F-6SM-5R



DRAW/NO.	PART NO.	NAME OF PART	QTY
171	1B-201000	INLET BUSHING	3
201	M-42201	HOUSING	1
207	W-100207	ROTOR	1
208	W-100208	ROTOR BLADE	5
209	W-74209	CYLINDER	1
210	W-074210	CYLINDER UPPER PLATE	1
211	W-74211	CYLINDER LOWER PLATE	1
222	R-003222-00	FELT RING	1
224	M-2224	DOCKING CASE	1
B31	SP-1.618	SPRING PIN	1
413	D-1413	NO.1 PLANET GEAR	2
B02	NR-419	4x19 NEEDLE ROLLER	2
416	M-4416	NO.1 PLANET GEAR FRAME	1
417	D-1417	NO.1 INTERNAL GEAR	1
418	M-2418	NO.2 PLANET GEAR	2
B03	NR-419	4x19 NEEDLE ROLLER	2
430	D-72430	NO.1 GEAR CASE	1
431	M-2431	NO.2 GEAR CASE	1
435	M-2435	THRUST WASHER	1
438	M-42438	SPINDLE	1
480	M-2480	THRUST WASHER (B)	1
A01	BB-626	#626 BALL BEARING	1
A02	BB-608	#608 BALL BEARING	1
A03	BB-EE4	#EE-4 BALL BEARING	1
A04	BB-EE4	#EE-4 BALL BEARING	1
A31	NB-SC108	SC-108 NEEDLE BEARING	1
B04	NR-110.5	1x10.5 NEEDLE ROLLER	30
B05	NR-110.5	1x10.5 NEEDLE ROLLER	30
B32	SP-1.65	SPRING PIN	1

DRAW/NO.	PART NO.	NAME OF PART	QTY
669	M-42669	FLANGE	1
D01	CS-618	M6x18 CAP SCREW	1
E01	SW-6	M6 SPRING WASHER	1

出図
02.11.18
不二空機(株)
技術部

TYPE	SPECIFICATIONS										
	AIR PRESSURE	FREE SPEED	STALL TORQUE	RATED HORSE POWER	AIR CONSUMPTION	OVERALL LENGTH	NET WEIGHT	AIR INLET THREAD	HOSE SIZE		
	KG/cm ² lb/in ²	R P M	KG·m ft·lb	P S	ml/min ft ³ /min	mm in	KG lb	mm in	mm		
F-6SM-5R	6	85	5.00	1.5 10.8	0.31 0.34	12	179 7 1/8	1.0 2.2	PT 1/8	ø	

AIR MOTOR			
TYPE	F-6SM-5R		
DRAWING No.	M-42	CHIEF	
SCALE	1/1	CHECKED BY	
DATE		DRAWING BY	
FUJII AIR TOOLS CO., LTD.			
M-42-460-00			

ST3-171 柿内