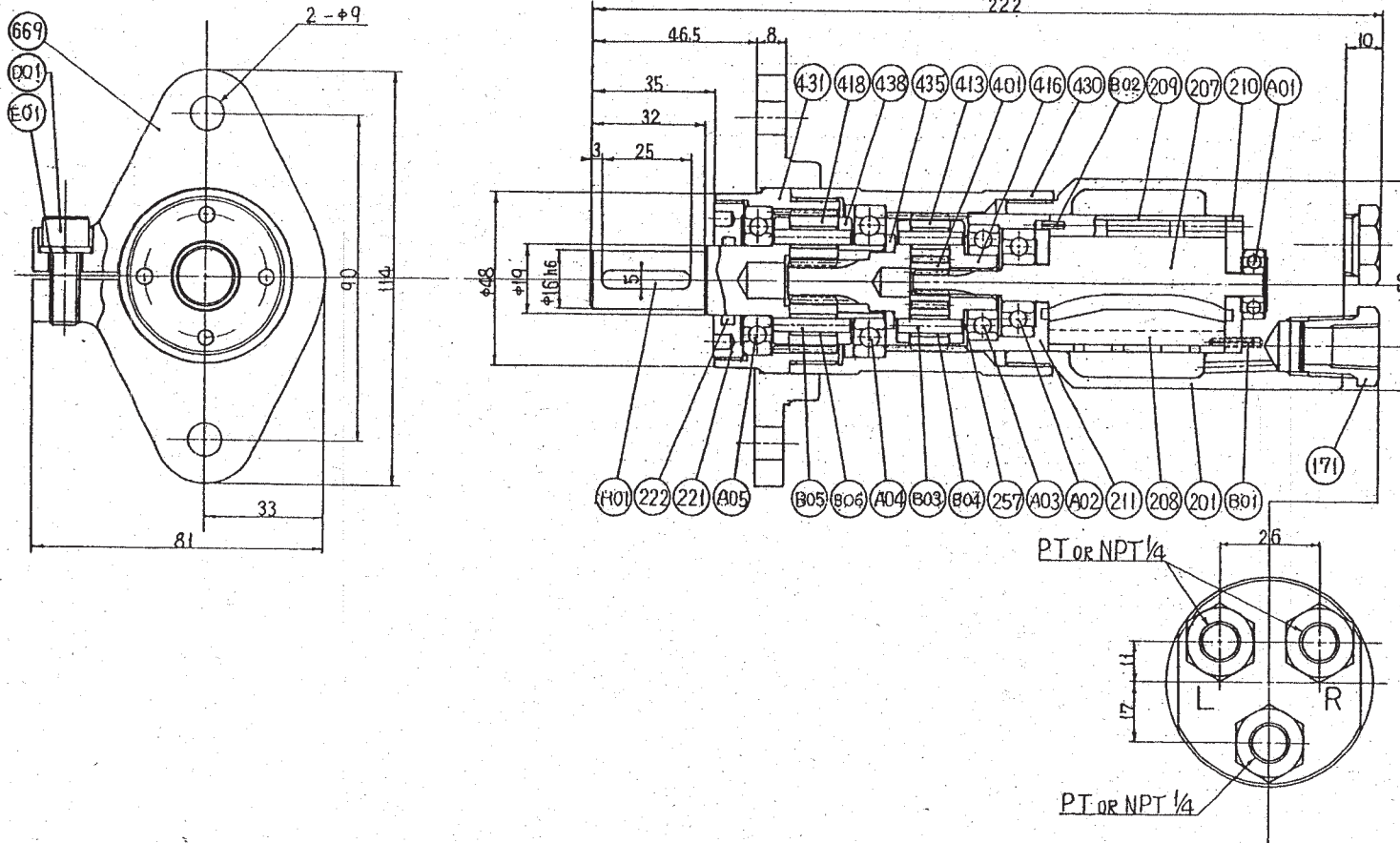


F-8SM-8.5R



DRAWING NO.	PART NO.	NAME OF PART	QTY
171	1B-3020S0	INLET BUSHING	3
	G-02817-01	NPT 1/4 INLET JOINT	3
201	M-084201	HOUSING	1
207	M-065207	ROTOR	1
208	M-032208	ROTOR BLADE	5
209	M-065209	CYLINDER	1
210	M-065210	CYLINDER UPPER PLATE	1
211	M-065211	CYLINDER LOWER PLATE	1
221	D-045221	SPINDLE BEARING COVER	1
222	D-045222	FELT RING	1
B01	SP-212	2x12 SPRING PIN	1
B02	SP-216	2x6 SPRING PIN	1
257	D-045257	WASHER	1
401	D-045401	NO.1 GEAR	1
413	D-045413	NO.1 PLANET GEAR	2
B03	NR-419	4x19 NEEDLE ROLLER	2
B04	NR-110.5	1x10.5 NEEDLE ROLLER	30
416	D-045416	NO.1 PLANET GEAR FRAME	1
418	D-045418	NO.2 PLANET GEAR	2
B05	NR-422	4x22 NEEDLE ROLLER	2
B06	NR-112	1x12 NEEDLE ROLLER	30
430	D-082430	NO.1 GEAR CASE	1
431	D-045431	NO.2 GEAR CASE	1
435	D-045435	THRUST WASHER	1
438	M-086438	SPINDLE	1
669	M-071669	FLANGE	1
A01	BB-626	626 BALL BEARING	1
A02	BB-6200	6200 BALL BEARING	1
A03	BB-6002	6002 BALL BEARING	1
A04	BB-SC0409	SC0409 BALL BEARING	1
A05	BBE-6	6E6 BALL BEARING	1
D01	CS-822	M8x22 CHIP SCREW	1
E01	SW-8	M8 SPRING WASHER	1
H01	5525K	5x5x25 KEY	1

TYPE	SPECIFICATIONS														
	AIR PRESSURE		FREE SPEED	STALL TORQUE		NET HORSEPOWER	AIR CONSUMPTION		OVERALL LENGTH		NET WEIGHT		AIR INLET THREAD	HOSE SIZE	
	kg/cm ²	lb/in ²	RPM	kg-m	ft.-lb	PS	ml/min	ft ³ /min	mm	in	kg	lb	in	mm	in
F-8SM-8.5R	6.0	85	850	1.5	11	0.5	0.5	18	222	8 3/4	2.4	5.3	PT, NPT 1/4	9.5	3/8

(LESS FLANGE)

M-086-A30-00

AIR MOTOR		
TYPE	F-8SM-8.5R	
DRAWING NO.	M-086	SCALE
DATE	AUG '79 A.H.	
FUJI AIR TOOLS CO., LTD.		