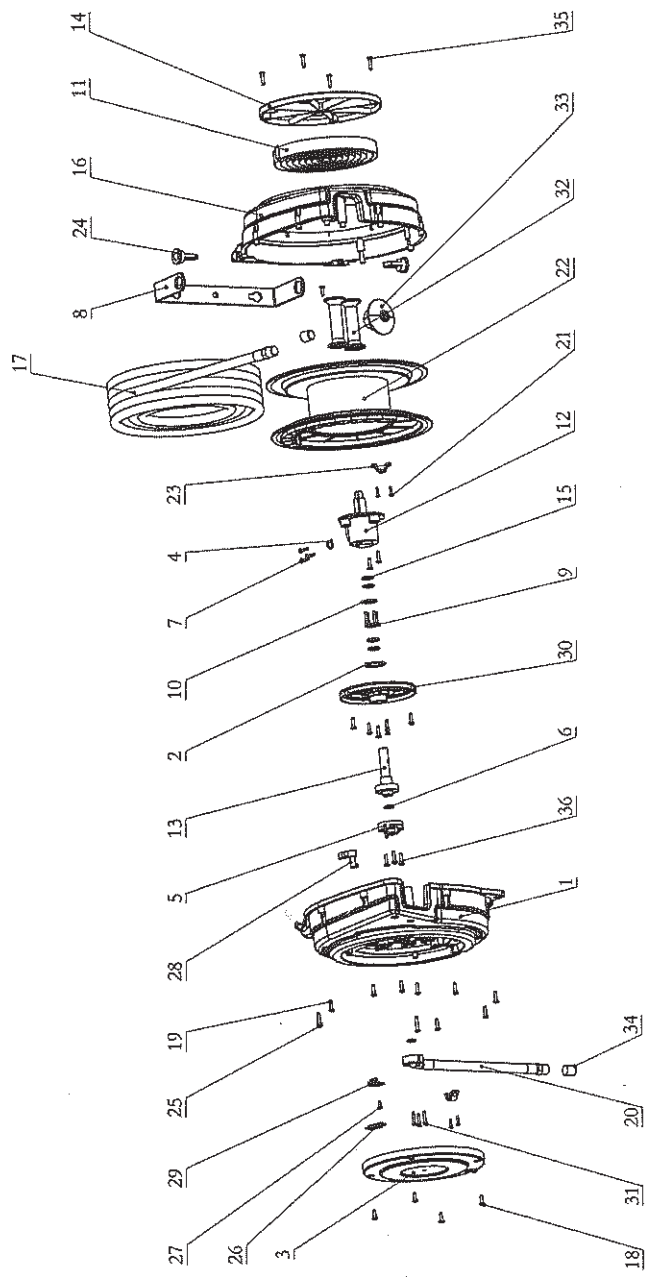


Exploded and Parts list



Part No.	Description	Q'ty	Part No.	Description	Q'ty
1	Left Cover	1	19	Screw	14
2	O-ring	1	20	Lead-in Hose Assembly	1
3	Small Left Cover	1	21	Screw	4
4	O-ring	2	22	Drum	1
5	Connector	1	23	Clamp	2
6	O-ring	1	24	Pin	2
7	Screw	6	25	Screw	2
8	Bracket	1	26	Ratchet Spring	1
9	Retainer Base	1	27	Screw	1
10	Retainer	1	28	Ratchet Paw	1
11	Main Spring	1	29	Ratchet Base	1
12	Swivel Body	1	30	Bushing	1
13	Swivel Spool	1	31	Screw	3
14	Small Right Cover	1	32	Roller	2
15	O-ring	4	33	Stopper Assembly	1
16	Right Cover	1	34	Protector Cap	2
17	Hose Assembly	1	35	Screw	4
18	Screw	5	36	Screw	3