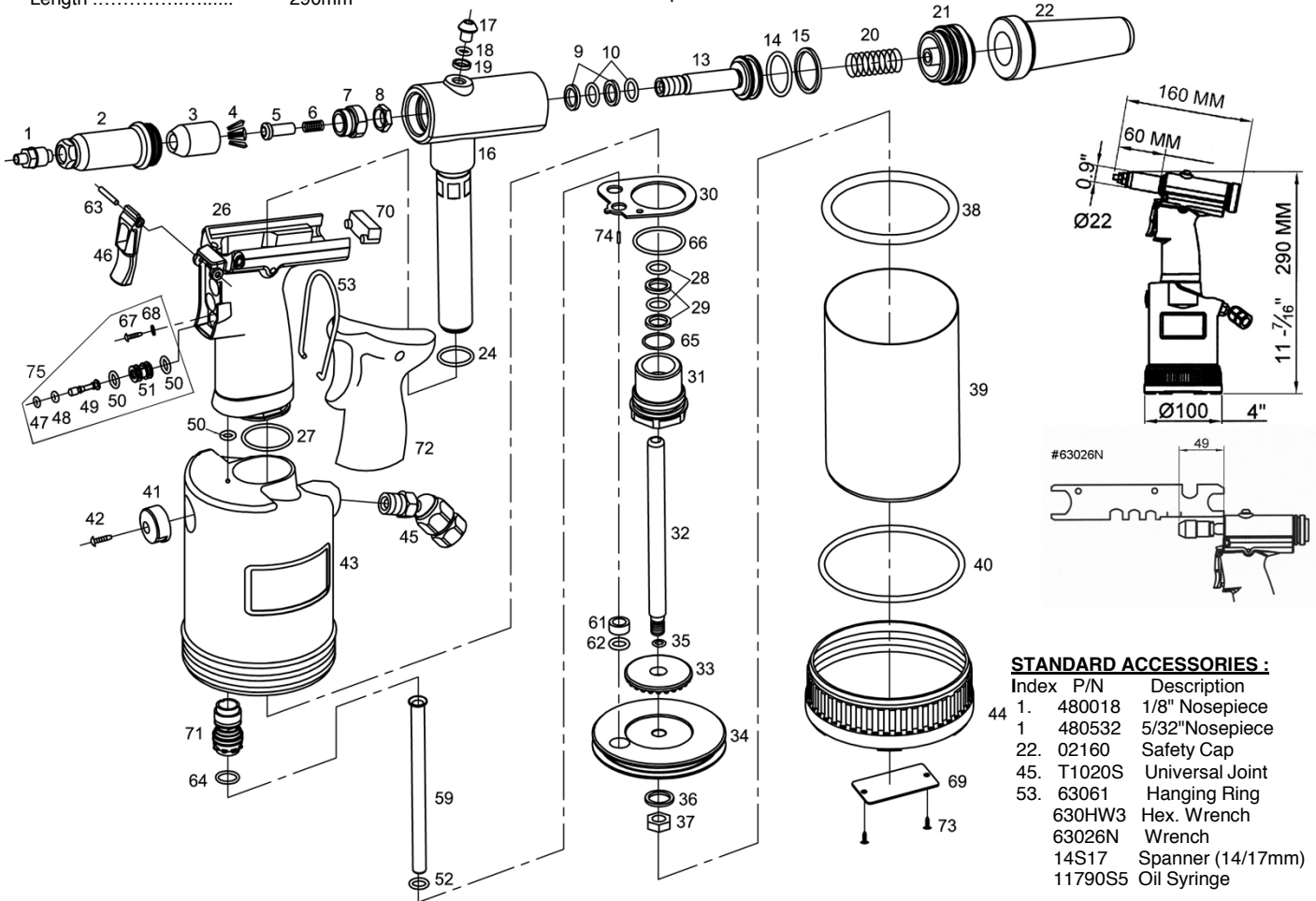


SPECIFICATIONS :

Blind Rivet Setting Capacity 1/8", 5/32", 3/16"
Traction Power..... 2400Lbs
Stroke 18mm
Operating Air Pressure.. 90 PSI
Length : 290mm

Weight.....3LBS
Sound Pressure..... 75 dB(A)
Vibration < 2.5 M/S²
Air Consumption..... 2 L/ stroke



STANDARD ACCESSORIES :

Index	P/N	Description
1.	480018	1/8" Nosepiece
1	480532	5/32" Nosepiece
22.	02160	Safety Cap
45.	T1020S	Universal Joint
53.	63061	Hanging Ring
	630HW3	Hex. Wrench
	63026N	Wrench
	14S17	Spanner (14/17mm)
	11790S5	Oil Syringe

(MA630-1) 1/2014D5

No.	Part No.	Description	No.	Part No.	Description	No.	Part No.	Description
1	480316	3/16" Nosepiece	30	63032	Pipe Washer	*62	35039	O-Ring
2	48012	Head	31	63057	Screw Plug	63	25018B	Roll Pin
3	10409	Jaw Housing	32	63022	Plunger Rod	*64	25022	O-Ring Seal
4	10508	Jaws (3pcs/set)	33	63030	Cushion	*65	R18X2	O-Ring Seal
5	63007	Jaw Pusher	34	63020	Piston	*66	R266X24	O-Ring Seal
6	63056	Spring	*35	R5X15	O-Ring Seal	67	630M3	Screw
7	63019	Jaw Housing Coupler	*36	48047	Washer	*68	630W3	Washer
8	63014	Nut	37	48048	Nut	70	63060	Rubber Plug
*9	11520	X-Ring Washer (2)	*38	R70X57	O-Ring Seal	71	68036AK	Valve Kit
*10	11558	X-Ring Seal (2)	39	63008	Cylinder Cup	74	400031	Pin
13	63051	Hydraulic Plunger	*40	R76X35	O-Ring Seal	75	630090	Air Valve Bush Ass'y
*14	P2224U	O-Ring Seal (#P2224)	41	63031	Exhaust Cap	Content:		
*15	48022	O-Ring Washer	42	WS3X10	Screw	47	R1-9x19	O Ring Seal
16	63002A9	Hydraulic Section Assy	43	63029	Cylinder Body	48	R2X15	O Ring Seal
17	630M5	Oil Plug	44	63035	Cylinder Cap	49	63016	Trigger Stem
*18	R4X2	O-Ring Seal	46	63010	Trigger	50	02197	O Ring Seal (2)
*19	630W5	Fill Washer	*47	R1-9X19	O-Ring Seal	51	63009	Trigger Bush
20	10453B	Hyd. Return Spring	*48	R2X15	O-Ring Seal	67	630M3	Screw
21	63011	Screw Plug	49	63016	Trigger Stem	68	630W3	Washer
*24	02170	O-Ring	*50	02197	O-Ring Seal (3)	選擇性配件 *** OPTIONAL ACCESSORIES ***		
26	63003	Hydraulic Handle	51	63009	Trigger Bush	69	63048	Name Plate
*27	630356	O-Ring Seal	*52	680RW13	Rubber Washer	72	64086	Rubber Grip
*28	11520	X-Ring Seal (2)	59	63039	Valve Tube	73	630BS3X6	Screw (2)
*29	11558	O-Ring Washer (2)	61	63079	Bush	" * " REPAIR KIT		