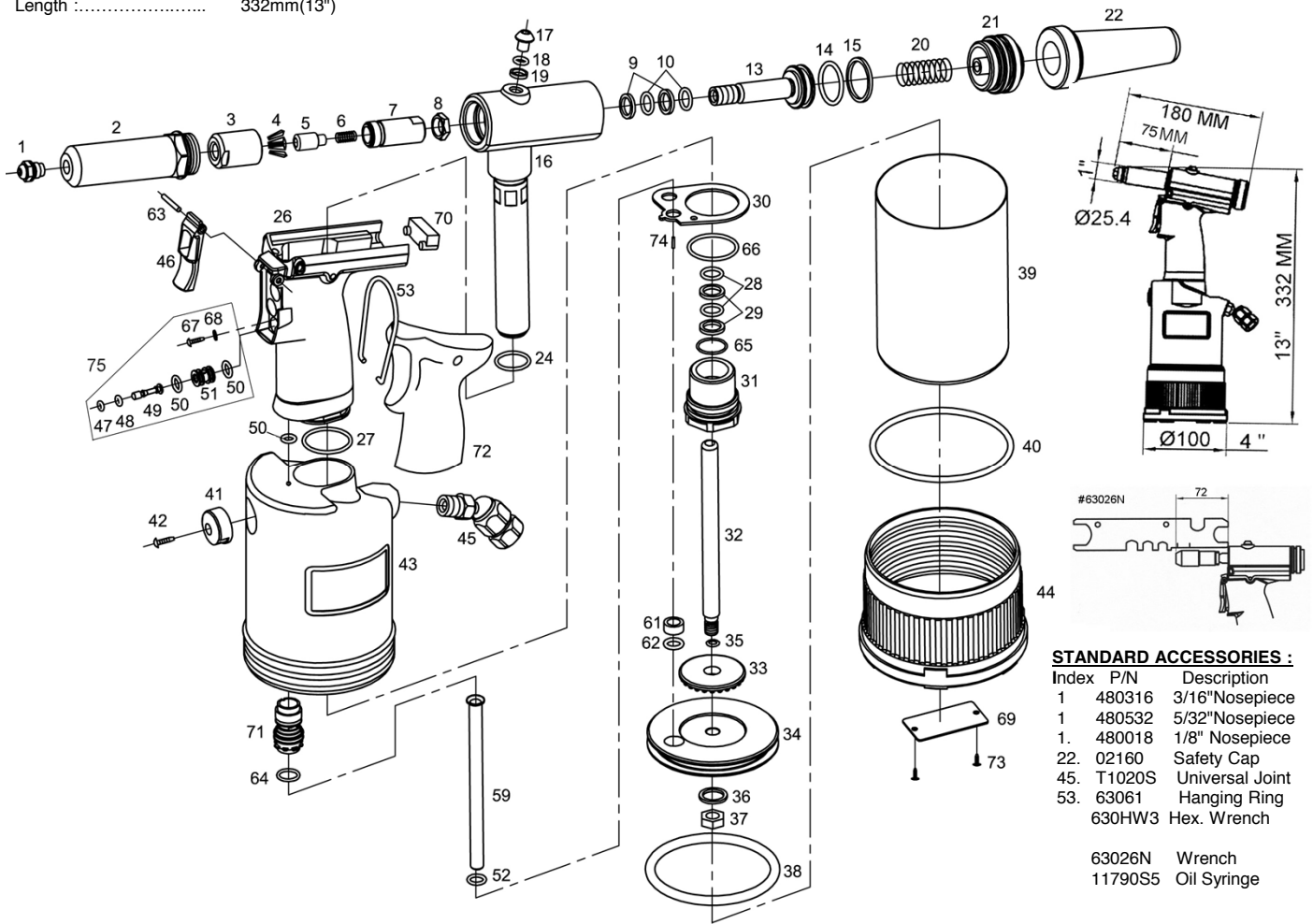


MOD. AR-800PK REMACHADORA HIDRONEUMÁTICA

SPECIFICATIONS :

Blind Rivet Setting Capacity--1/4" , 3/16",5/32" , 1/8"
Traction Powe3500Lbs
Stroke 19mm (3/4")
Operating Air Pressure 90 PSI
Length 332mm(13")

Weight..... 3.4LBS
Sound Pressure..... 75 dB(A)
Vibration < 2.5 M/S²
Air Consumption..... 3 L/ stroke



STANDARD ACCESSORIES :

Index	P/N	Description
1	480316	3/16"Nosepiece
1	480532	5/32"Nosepiece
1.	480018	1/8" Nosepiece
22.	02160	Safety Cap
45.	T1020S	Universal Joint
53.	63061	Hanging Ring
	630HW3	Hex. Wrench
	63026N	Wrench
	11790S5	Oil Syringe

(MA640-1) 1/2014C6

Part No.	Description	Part No.	Description	Part No.	Description
1	500064 1/4" Nosepiece	31	64057 Screw Plug	*64	25022 O-Ring Seal
2	54015 Head	32	64022 Plunger Rod	*65	R18X2 O-Ring Seal
3	54009 Jaw Housing	33	63030 Cushion	*66	R266X24 O-Ring Seal
4	10508 Jaws (3pcs/set)	34	63020 Piston	67	630M3 Screw
5	11507 Jaw Pusher	*35	R5X15 O-Ring Seal	*68	630W3 Washer
6	540005 Spring	*36	48047 Washer	70	63060 Rubber Plug
7	64006 Jaw Housing Coupler	37	48048 Nut	71	68036AK Valve Kit
8	63014 Nut	*38	R70X57 O-Ring Seal	74	400031 Pin
*9	11520 X-Ring Washer (2)	39	64008 Cylinder Cup	75 630090 Air Valve Bush Ass'y	
*10	11558 X-Ring Seal (2)	*40	R78X2.8 O-Ring Seal	Content:	
13	64051W Hydraulic Plunger	41	63031 Exhaust Cap	47	R1-9x19 O Ring Seal
*14	P2224U O-Ring Seal (#P2224)	42	WS3X10 Screw	48	R2X15 O Ring Seal
*15	48022 O-Ring Washer	43	63029 Cylinder Body	49	63016 Trigger Stem
16	64002V9 Hydraulic Section Assy	44	64035 Cylinder Cap	50	02197 O Ring Seal (2)
17	630M5 Oil Plug	46	63010 Trigger	51	63009 Trigger Bush
*18	R4X2 O-Ring Seal	*47	R1-9X19 O-Ring Seal	67	630M3 Screw
*19	630W5 Fill Washer	*48	R2X15 O-Ring Seal	68	630W3 Washer
20	10453B Hyd. Return Spring	49	63016 Trigger Stem	選擇性配件 *** OPTIONAL ACCESSORIES ***	
21	63011 Screw Plug	*50	02197 O-Ring Seal (3)	1	500014AV 3/16"Nosepiece for *Monobolt
*24	02170 O-Ring	51	63009 Trigger Bush		500015AV 1/4"Nosepiece for *Monobolt
26	63003 Hydraulic Handle	*52	680RW13 O-Ring Seal	69	63048 Name Plate
*27	630356 O-Ring Seal	59	64039 Valve Tube	72	64086 Rubber Grip
*28	10554 X-Ring Seal (2)	61	63079 Bush	73	630BS3X6 Screw (2)
*29	10558 O-Ring Washer (2)	*62	35039 O-Ring	** REPAIR KIT	
30	63032 Pipe Washer	63	25018B Roll Pin		