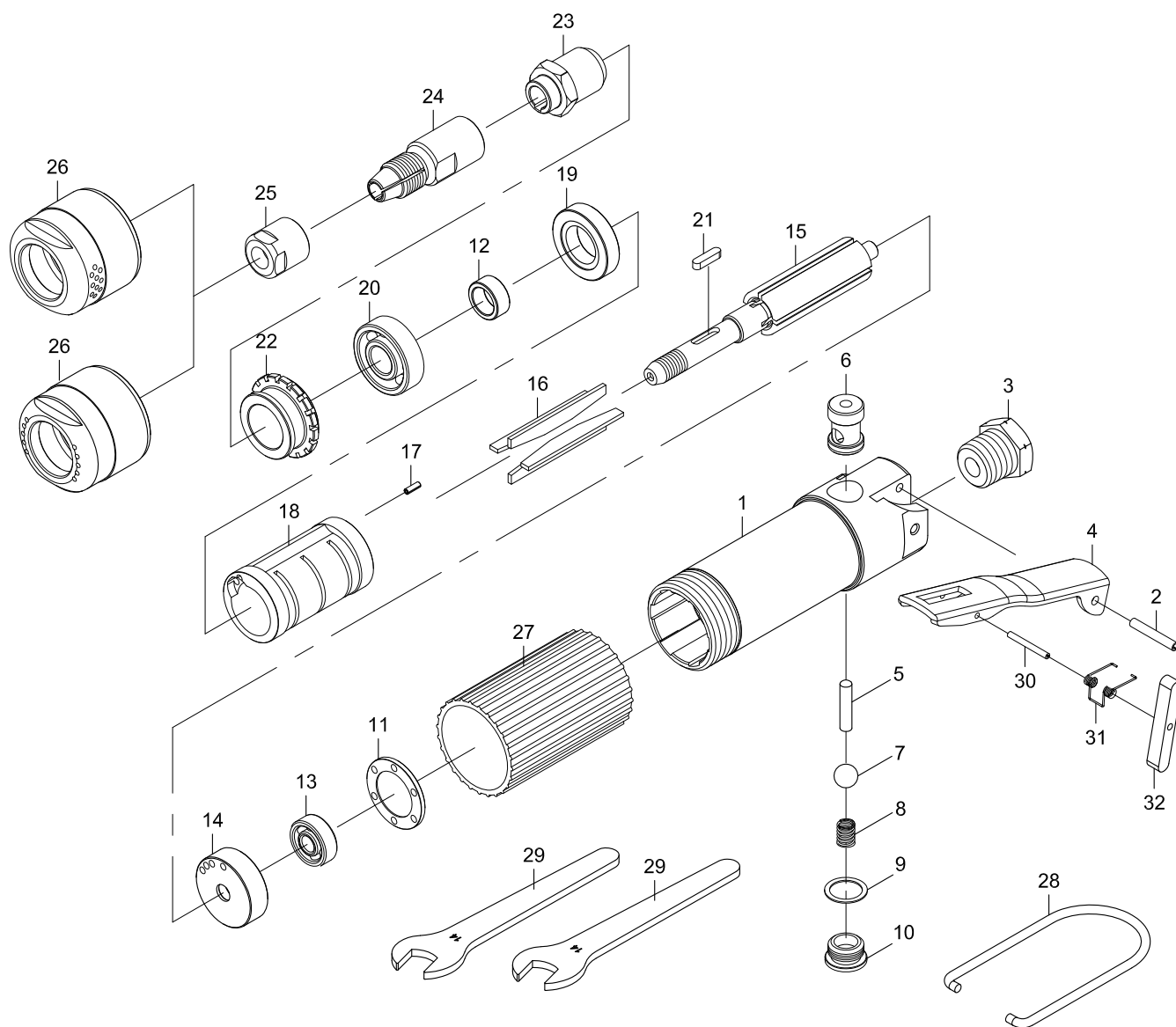


NG-40 AMOLADORA RECTA



Index No.	Parts No.	Description	Index No.	Parts No.	Description
1	50-241N01	Motor Housing	18	50-250R18	Cylinder
2	50102-12	Spring Pin (3*20L)	19	50-240N19	Front End Plate
3	50-240N03-12	Air Inlet	20	06000	Ball Bearing (6000)
4	50-241S04	Throttle Lever	21	5E-260R38	Key
5	50-240N05	Valve Shaft	22	50-240N13	Silencer Plate
6	50-240N06	Valve Bushing	23	50-240N31	Chuck Collar
7	50-240N35	Ball (5/16")	24	5E-260R36-11	Collet (1/4")
8	50-240N08	Spring	24	5E-260R36-12	Collet (6mm)
9	50-240N17	Cover Packing	25	5E-260R37	Collet Nut
10	50-240N10	Valve Cover	26	50-240N11	Exhaust Cover(Side)
11	50-250R12	Bearing Cover	26	50-241N11	Exhaust Cover(Front)
12	50-240N12	Rotor Spacer	27	50-241N52	Rubber Grip
13	0606	Ball Bearing (606)	28	84257	Hook
14	50-250R14	Rear End Plate	29	50-250R31	Spanner(2) (14mm)
15	50-240N15	Rotor	30	51542	Spring Pin (2x18L)
16	50-250R16	Vane (4)	31	51541	Spring
17	70117-12	Spring Pin (2*6L)	32	50-241S40	Safety Bar

50-240S-0001
50-241S-0001

03.16.2010