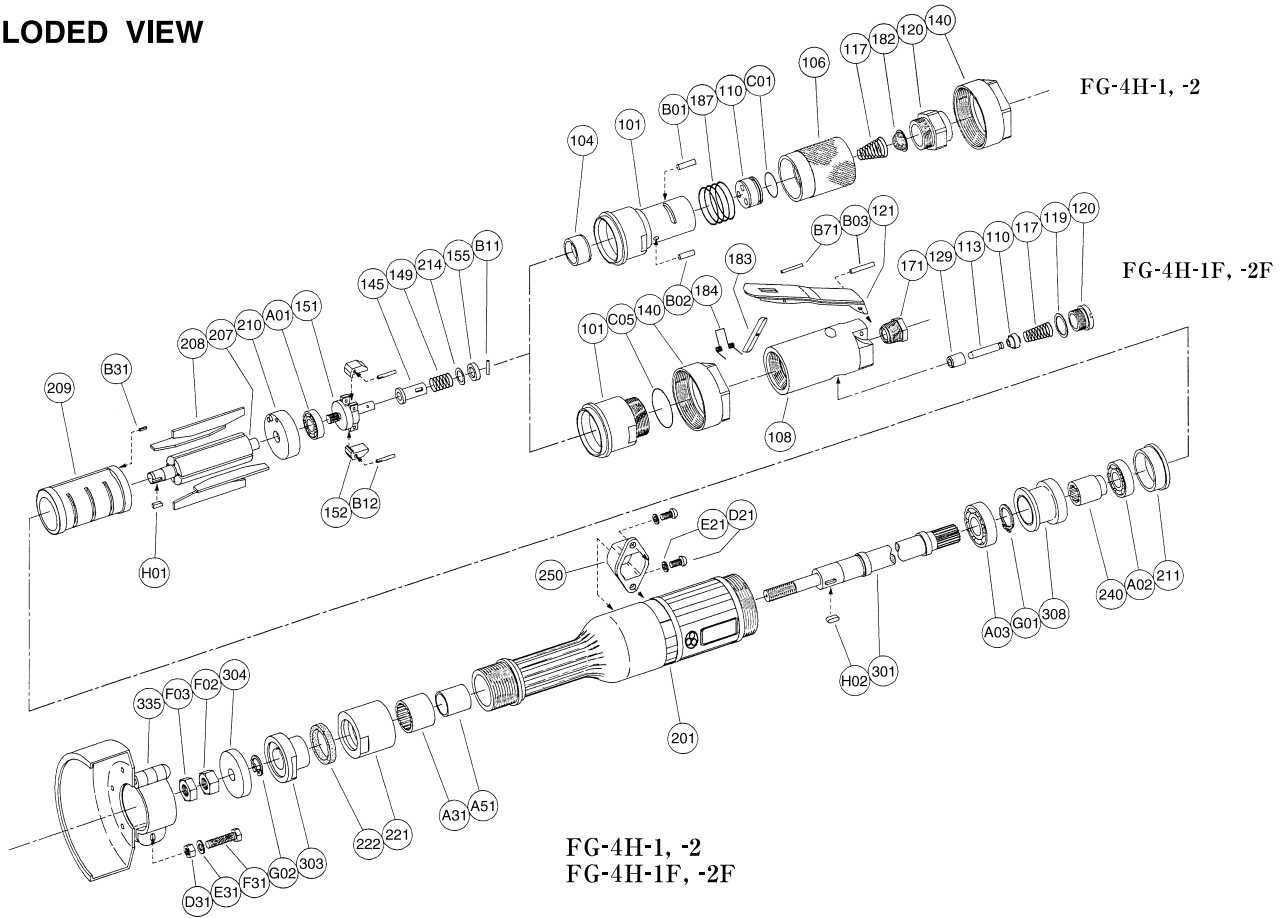


**EXPLODED VIEW**



**PARTS LIST**

Index No.	Parts No.	Parts Name	Qty	Index No.	Parts No.	Parts Name	Qty	Index No.	Parts No.	Parts Name	Qty
<b>FG-4H-1, -2</b>											
—	A-093001-00	Housing Cover Ass'y <PT>		B03	IB-403NS0	Inlet Bushing <NPT>	1	303	G-170303-06	Wheel Flange <A>	1
—	A-093001-01	Housing Cover Ass'y <NPT>		—	G-144019-01	Lock Lever Ass'y		304	G-170304-04	Wheel Flange <B>	1
101	G-170001-50	Housing Cover	1	121	G-144121-02	Throttle Valve Lever	1	308	G-170308-00	Spacer	1
(104)	G-103104-00	Bushing	1	183	G-144183-02	Lock Key	1	335	G-043335-00	Wheel Guard	1
106	A-086106-00	Throttle Valve Handle	1	184	G-144184-00	Lock Spring	1	(D31)	HS-625	Hexagon Bolt	1
110	A-086110-00	Throttle Valve	1	B71	SP-218	Spring Pin	1	(E31)	SW-6	Spring Washer	1
117	A-086117-00	Throttle Valve Spring	1	<b>FG-4H-1, -1F, -2, -2F</b>							
120	A-086120-00	Throttle Valve Cover <PT>	1	—	A-107010-01	Governor Weight Ass'y		(F31)	N-6	Nut	1
	A-086120-01	Throttle Valve Cover <NPT>	1	151	A-107151-01	Governor Cage	1	A01	BB-609MN	Ball Bearing	1
182	A-086182-00	Strainer	1	152	G-087152-00	Governor Weight	2	A02	BB-6200	Ball Bearing	1
187	A-086187-00	Throttle Valve Handle Spring	1	B12	GP-2.516GCH	Grooved Pin	2	A03	BB-6202	Ball Bearing	1
B01	NR-415	Needle Roller	1	<b>FG-4H-1, -1F, -2, -2F</b>							
B02	NR-412.8	Needle Roller	1	140	A-093140-00	Cup Nut (for FG-4H-1, -2)	1	A31	NB-HK2020	Needle Bearing	1
C01	O-S20	"O" Ring	1	145	A-065145-00	Governor Valve	1	A51	IR-172020.5	Inner Race	1
<b>FG-4H-1F, -2F</b>											
—	A-110001-01	Housing Cover Ass'y <PT>		149	A-065149-00	Governor Valve Spring	1	B11	NR-211.8	Needle Roller	1
—	A-110001-03	Housing Cover Ass'y <NPT>		155	A-065155-00	Governor Valve Spring Holder	1	D21	CS-510B	Cap Screw	2
101	A-110101-00	Housing Cover	1	201	G-170201-00	Housing	1	E21	SW-5	Spring Washer	2
140	A-093140-00	Cup Nut	1	207	A-110207-00	Rotor	1	F02	N-W3/8	Nut	1
C05	O-S26	"O" Ring	1	208	A-093208-00	Rotor Blade	4	F03	N-W3/8 (3)	Nut	1
—	A-107003-00	Throttle Valve Body Ass'y <PT>		209	A-073209-00	Cylinder	1	G01	SR-S15	Snap Ring	1
—	A-107003-01	Throttle Valve Body Ass'y <NPT>		(B31)	SP-26	Spring Pin	1	G02	SR-E9	Snap Ring	1
108	A-107003-50	Throttle Valve Body	1	210	A-110210-00	Cylinder Upper Plate	1	H01	K-338F	Key	1
(129)	H-014129-00	Throttle Valve Rod Bushing	1	211	A-110211-00	Cylinder Lower Plate	1	H02	K-4410	Key	1
110	H-001110-02	Throttle Valve	1	214	A-065214-00	Adjusting Washer (T=0.2)	(1)	It is common with FG-4H-1, -1F excluding the undermentioned parts.			
113	G-028113-00	Throttle Valve Rod	1		A-065214-01	Adjusting Washer (T=0.3)	(1)	<b>FG-4H-2, -2F</b>			
117	D-001117-00	Throttle Valve Spring	1		A-065214-02	Adjusting Washer (T=0.5)	(1)	301	G-152301-00	Wheel Spindle	1
119	G-028119-00	T.V. Cover Packing	1	221	G-044221-00	Spring Bearing Cover	1	304	G-170304-05	Wheel Flange <B>	1
120	G-028120-00	Throttle Valve Cover	1	222	G-044222-00	Felt Ring	1	F02	N-W1/2	Nut	1
171	IB-4030S0	Inlet Bushing <PT>	1	240	G-170240-00	Coupling	1	F03	N-W1/2 (3)	Nut	1
				250	G-170250-00	Exhaust Cover	1	G02	SR-E12	Snap Ring	1
				301	G-170301-04	Wheel Spindle	1				

- The related parts are shown in a thick frame.
- #101, 108, 209, and 335 are supplied together with parts shown in ( ).
- The quantity of #214 is different according to the adjustment.
- Specify parts number and quantity when ordering.

■ Standard Accessory

AC No.	Description	Qty
F-112	32mm Hex. Open-End Wrench	1