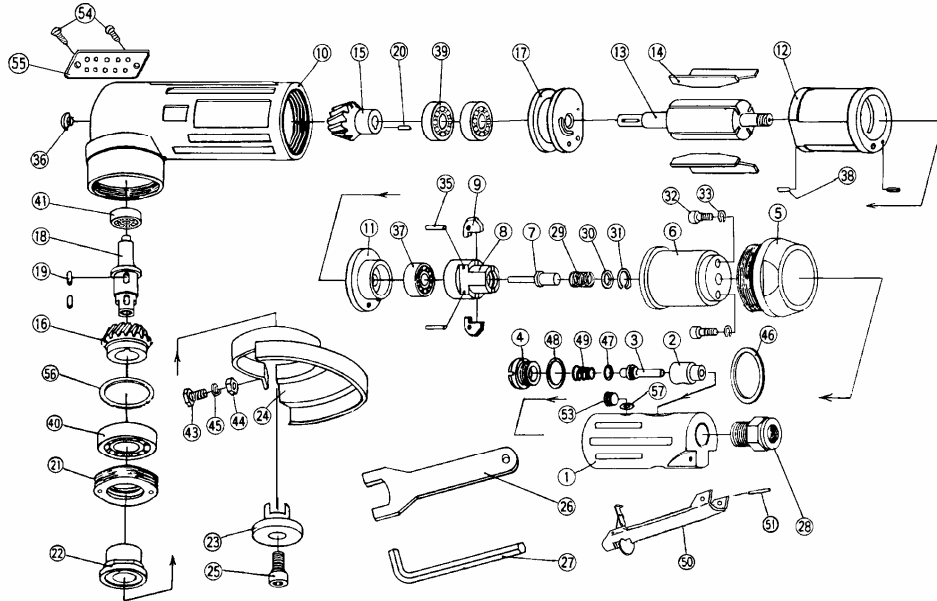


AIXIA-BG4A ANGLE GRINDER

EXPLODED VIEW



PARTS LIST

03/03/2003

◆Parts may be changed with or without notice for improvement.

PART S No.	NAME OF PARTS	PER SET	PARTS CODE	PRICE @	ORDE R	PART S No.	NAME OF PARTS	PER SET	PARTS CODE	PRICE @	ORDE R
1	Handle Body	1	BG4A-3			28	Inlet Bushing	1	BG4A-422		
1A	Handle Body Assy. (No.1 ~ 6,28,32,33,46 ~ 53,57)		BG4A-3			29	Governor Spring	1	BG4-232		
2	Throttle Bushing	1	BG4A-420			30	Washer	1	006001W		
3	Throttle Pin	1	BG4A-280			31	Stop Ring	1	001300RT		
4	Cap Screw	1	BG4A-210			32	Hex.Cap Bolt	2	005180CB		
5	Clamp Nut	1	BG4A-330			33	Spring Washer	2	005000S		
6	Governor Case	1	BG4A-P10			35	Needle Pin	2	025158NK		
7	Governor Valve	1	BG4-H10			36	Round Head Screw	1	006080PS		
8	Governor Body	1	BG4-P20			37	Ball Bearing	1	00608200		
8A	Governor Body Assy.(No.7 ~ 9,29 ~ 31,35)		BG4-21			38	Spring Pin	2	030080SP		
9	Pendulum	4	BG4-P00			39	Ball Bearing	2	06000000		
10	Casing	1	BG4-460			40	Ball Bearing	1	06203200		
11	Rear End Plate	1	BG4-050			41	Ball Bearing	1	00626000		
12	Cylinder	1	BG4-190			43	Hex.Head Bolt	1	006200FK		
13	Rotor	1	BG4-490			44	Hex.Nut	1	006000HP		
14	Vane	4	BG4-500			45	Spring Washer	1	006000S		
15	Bevel Pinion	1	BG4-T30			46	Gasket Ring	1	BG4A-350		
16	Bevel Gear	1	BG4-440			47	O-Ring	1	000600PR		
17	Front End Plate	1	BG4-040			48	Gasket Ring	1	001400SR		
18	Gear Shaft	1	BG4-140			49	Throttle Spring	1	BG4A-230		
19	Key	2	BG4-110			50	Safety Lever Assy.	1	BG4A-31		
20	Key	1	BG4-111						BG4A-271		
21	Set Screw	1	BG4-210						BG4A-061		
22	Disc Receiver	1	BG4-R10						BG4A-232		
23	Disc Check	1	BG4-R20						0201800P		
24	Disc Cover	1	BG4-R30			51	Spring Pin	1	030200SP		
24A	Disc Cover Assy.(No.24, No.43 ~ 45)		BG4-11			53	Oil Plug Screw	1	10325210		
25	Disc Clamp Screw	1	BG4-211			54	Screw	2	003000PM		
26	Disc Spanner	1	BG4-Q20			55	Exhaust Plate	1	BG4-020		
27	Hex.Wrench	1	006000LL			56	Spacer Ring	1	BG4-480		
						57	O-Ring	1	001000PR		